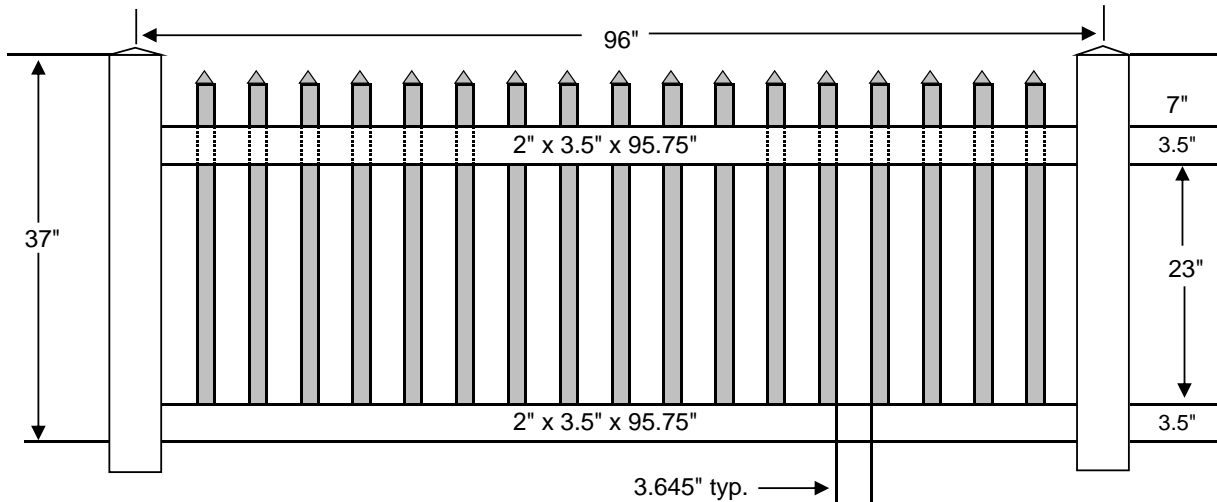


PWPI-1.5-3X8



Panel can accommodate a slope of 10" over 8' using the racking method

1

Material List			
Qty	Item	Dimensions	WRHS USE ONLY
1	Top Rail	2" x 3.5" x 95.75"	2" x 3.5" x 96" Rail
1	Bottom Rail	2" x 3.5" x 95.75"	2" x 3.5" x 96" Rail
1	Aluminum	1.5" x 3.25" x 95.75"	8" "H" Insert
17	Pickets	0.875" x 1.5" x 34"	0.875" x 1.5" x 47"
17	Picket Caps	0.875" x 1.5"	0.875" x 1.5"

* Measurements may vary slightly.

* Pickets are shaded for illustration only.

PWPI-1.5-3X8