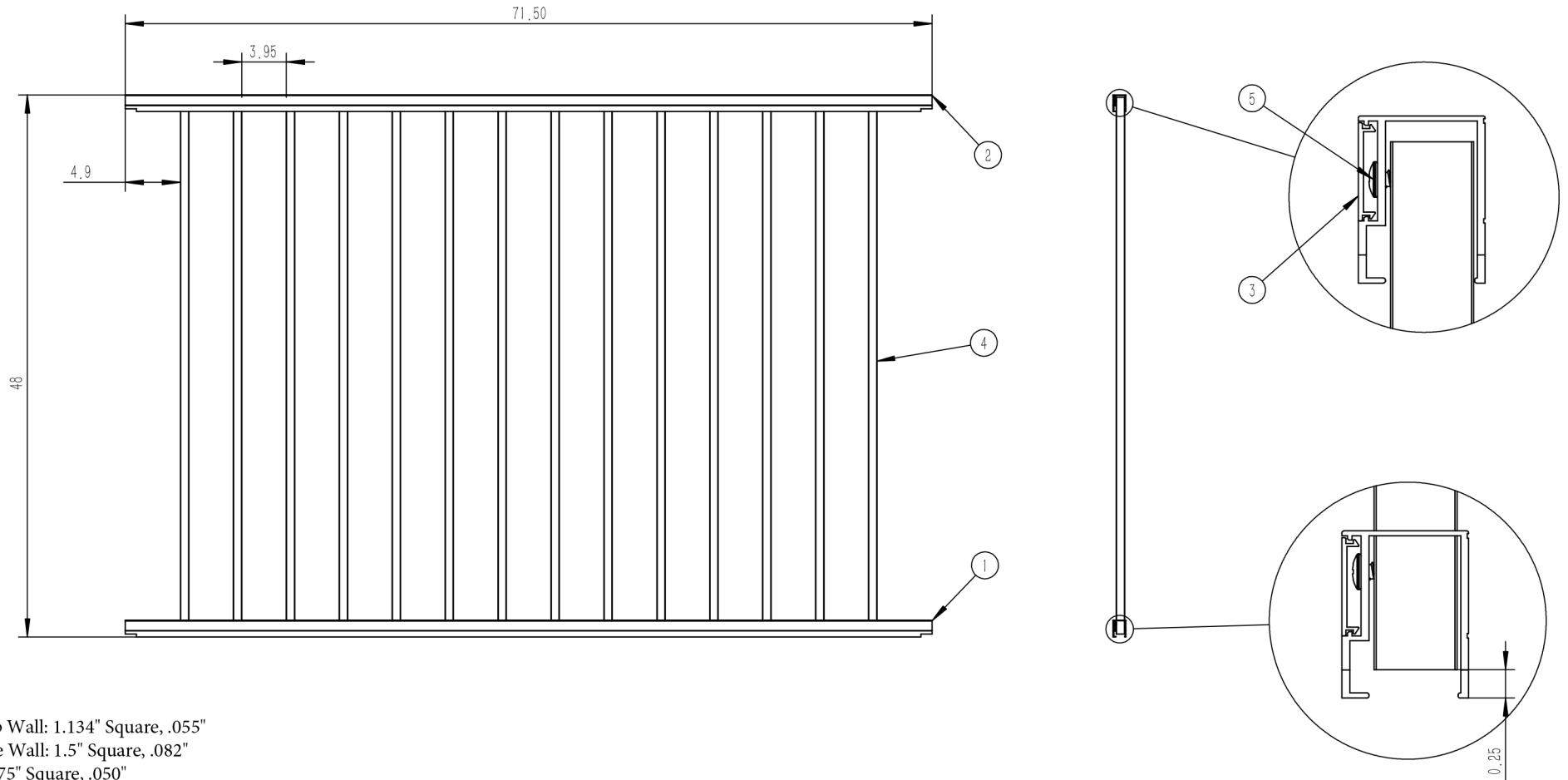


PBAL-FLTP2-4X6FL

No	Description	Part No.	Length	QTY	Note
1	1 "x1.5 " Hidden Screw Rail-Commercial	CFDA1816-01	71.50	1	
2	1 "x1.5 " Hidden Screw Rail-Commercial	CFDA1816-02	71.50	1	
3	1 "x1.5 " Hidden Screw Rail Strip-Commercial	CFDB1816-00	71.50	2	
4	3/4" Picket-Commercial	CFT1207-00	47.52	14	
5	1/2" Small Pan Head Self-Auguring Stainless Steel Screws			28	本色



Rails Top Wall: 1.134" Square, .055"
 Rails Side Wall: 1.5" Square, .082"
 Pickets: .75" Square, .050"

Alloy	6063-T5	Product Code:	PBAL-FLTP2-4X6FL
Powder Coat	AAMA-2604-13		