

weatherables

4-Rail Fence

Installation Guide

A beautiful finish that always looks new.

Thank you for choosing 4-Rail Horse Fence from Weatherables. Rest assured that your new fence will provide years of durable performance and maintenance-free satisfaction. This guide will help make your installation easy. For questions, please call 1-888-743-3673 and welcome to Weatherables.

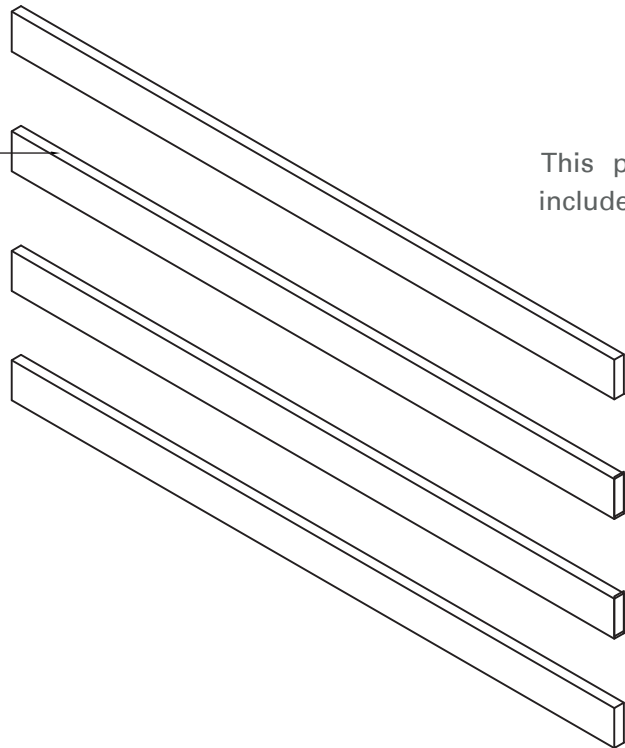
BOX CONTENTS

Each Fence Panel Box Includes:

- Post Cap (1)

- Post (1)

- Rails (4)



This post & cap not included. (See note to the left.)



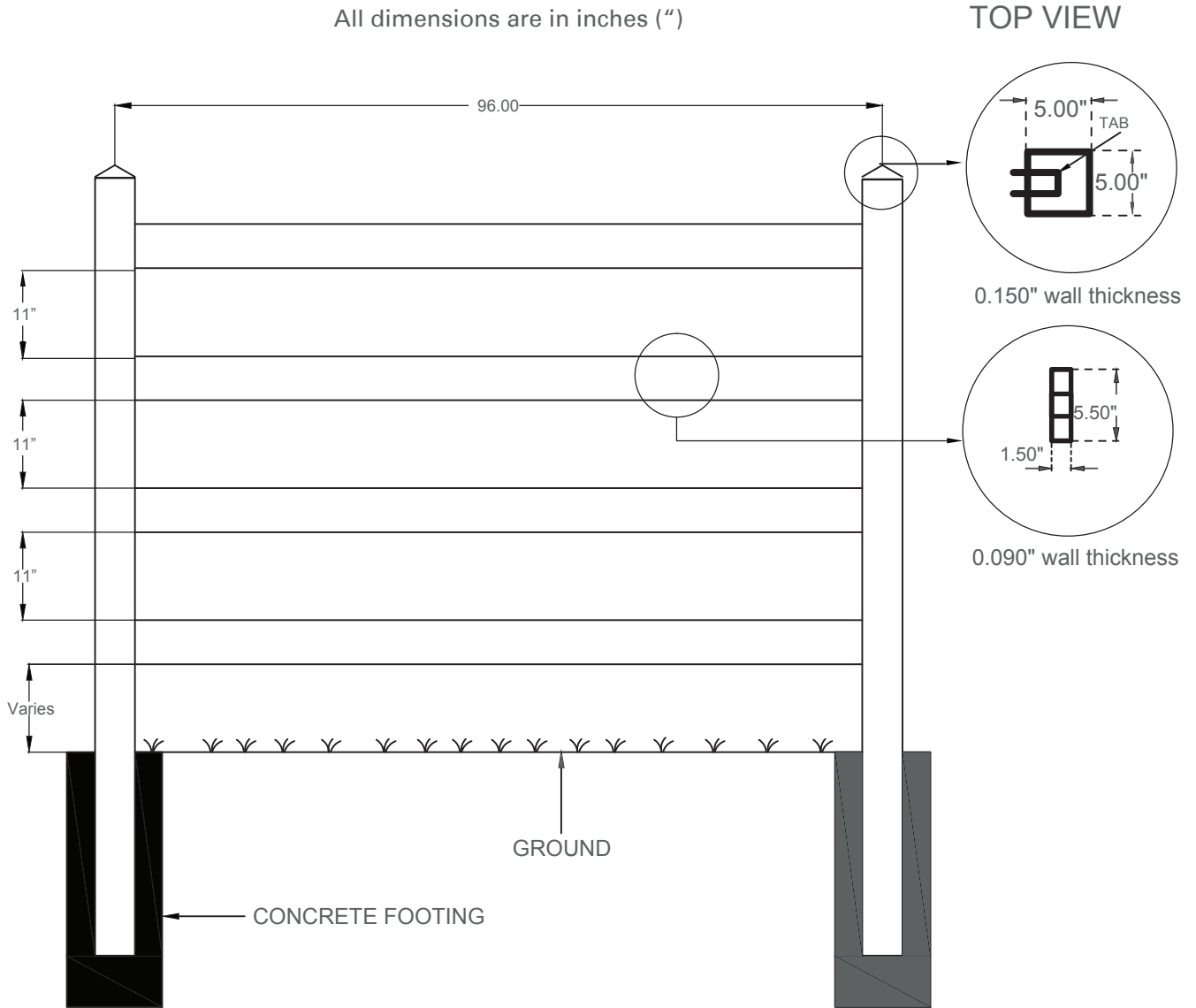
Sold Separately:

- Additional Post & Cap (1)

PLEASE NOTE:

YOU WILL NEED TO PURCHASE ONE EXTRA POST KIT TO COMPLETE EACH OF YOUR FENCE RUNS

This fence can be trimmed down in width to accommodate custom applications



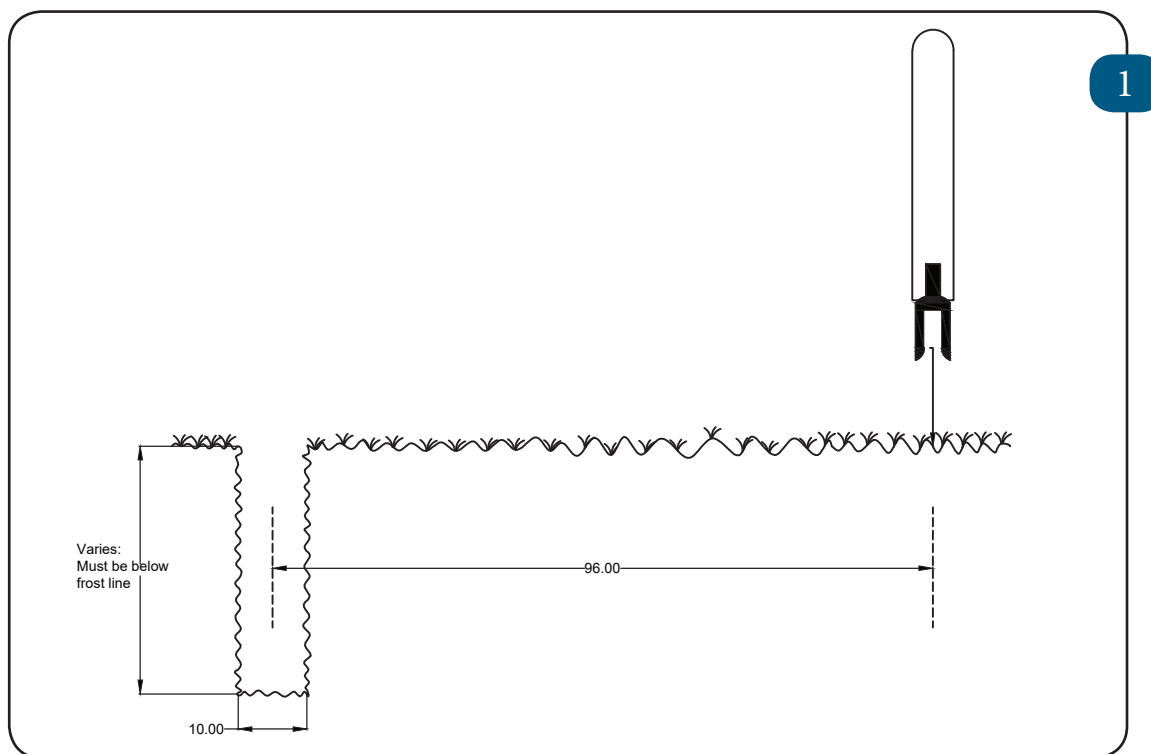
*Check local code before installing.

Important Reminders:

- We recommend installing 1 post and section at a time but other methods work too. Alter this method to suit your installation needs.
- Prior to construction, check with your regulatory agency for special code requirements in your area.
- Contact your utility supplier to locate and mark underground lines before excavation.
- Sketch out the layout of your fence and calculate the number of panels, gates and posts required (to finish a fence run, one extra post kit is needed).
- Careful planning and measuring of your fence is essential. Keep in mind that moving posts after the concrete sets is extremely difficult.



Fast2k Tip! Wherever concrete is used in installation, use Fast2K instead to simplify the process. Fast2K is a concrete alternative that is much easier to use and set.

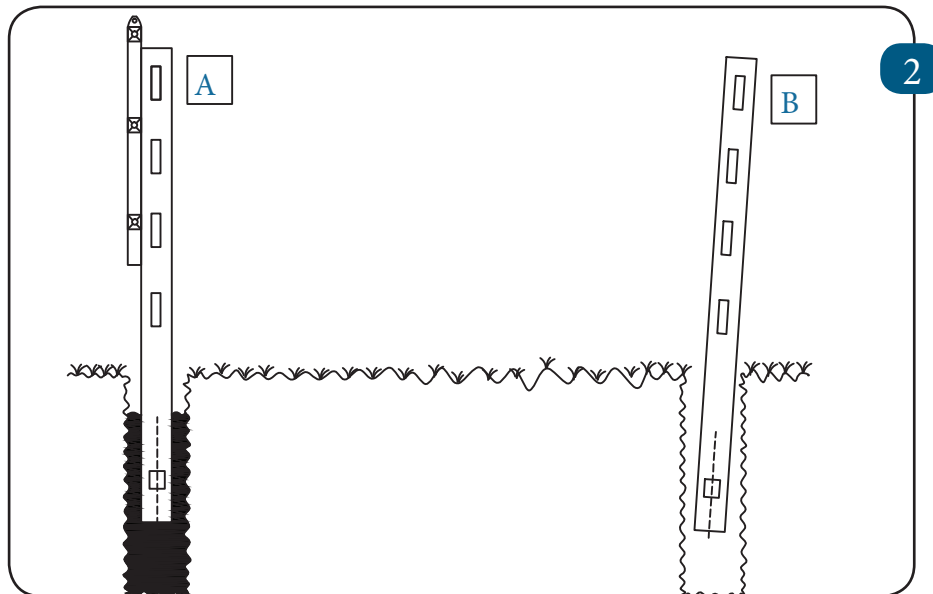


1. String your fence line and begin by digging your first post hole: 10" -12" wide x 32" -36" deep.



Fast2K Tip! For Fast2k install, dig hole 6" wide x 32" deep.

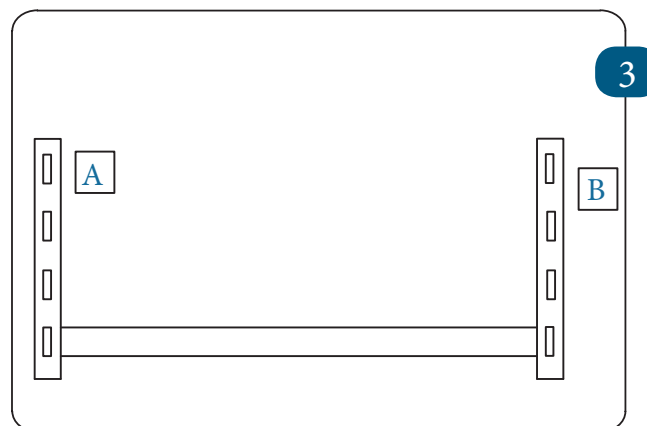
2. Dig your second hole 96" on center to your first hole, your third hole 96" on center to your second hole, and so on. Be sure to dig only 3-4 holes at a time to ensure proper spacing.



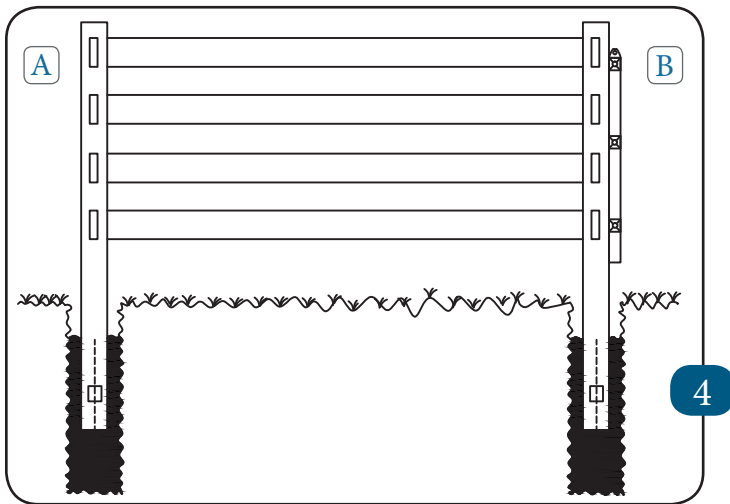
1. Insert post A into hole and set concrete. Post B may be loosely laying in hole until panel is fully installed. Repeat process down the line.

! **Fast2K Tip! Add one 12.4 oz. bag to the hole. Hold post in place to prevent movement and follow mixing instructions on the bag. Pour around post and plumb during expansion.**

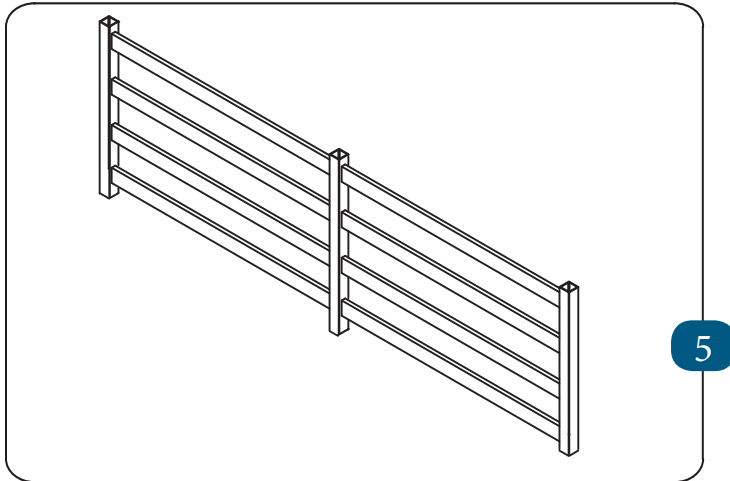
2. To set posts in concrete, hold post in place and prevent movement to ensure the post stays straight. Be prepared to use a minimum of (1) 60lb. bag of concrete for each post hole.
3. Mix concrete and pour wet.
4. Pour concrete in hole and plumb. Fill any remaining space with soil. Lastly, verify the spacing between the ground and the bottom rail is correct (up to 11").



1. Insert rails into post A and then into post B.



1. Straighten and level post B.
2. Pour in mixed concrete.
3. Insert post hole covers into unused holes of first post. Repeat steps down the line.



If more material is needed, please call 1-888-743-3673.