

weatherables

Classic Stair Railing

Installation Guide

THE BEST CHOICE FOR STRONG & DURABLE RAILING SYSTEMS

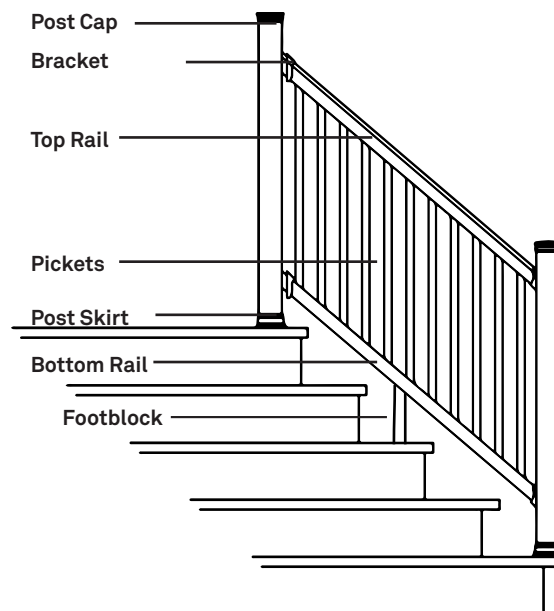
Our exclusive manufacturing process ensures our vinyl railing will provide superior strength plus it is virtually maintenance free. This guide will help make your installation easy. For questions, please call 1-888-743-3673 and welcome to Weatherables.

Please note:

It is the responsibility of the installer to conform to local building codes and safety requirements. It is also the installer's responsibility to obtain all necessary building permits. These instructions are guidelines and do not cover every installation scenario. Separate instructions are included for railing brackets. If purchasing post mounts specific instructions will be included within the packaging. Review all instructions before starting railing installation. The installer may need to modify the exact installation method to meet unique site requirements.

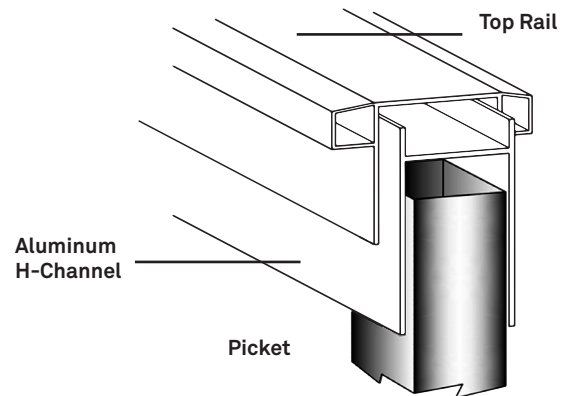
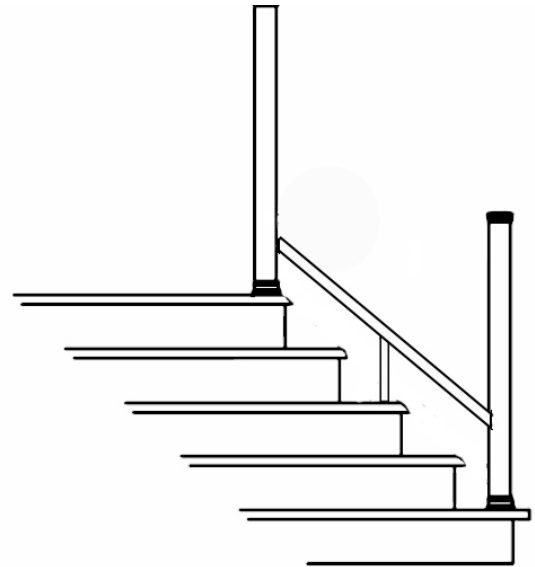
THE MANUFACTURER WILL NOT BE HELD RESPONSIBLE FOR INCORRECT OR UNSAFE INSTALLATION

1. If cutting material for installation double check all measurements before cutting.
2. Some stair installations require longer posts. Test all railing sections before cutting.
3. The stair brackets included can accommodate angles of 30-40 degrees.



Installation Tips:

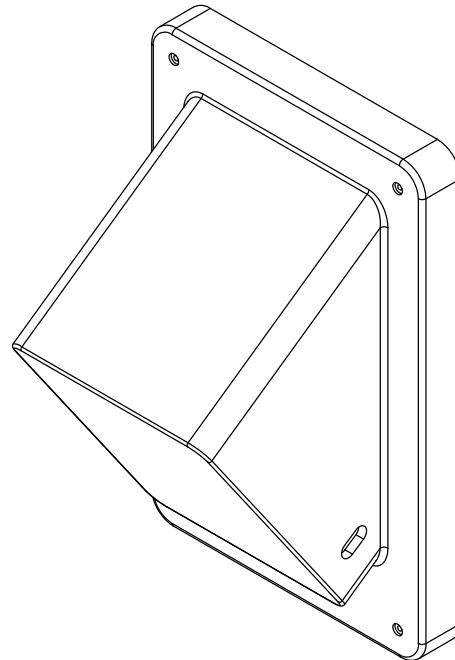
1. The bracket kits include two different size screws. The 1-1/2" screws are used to install the mounting bracket to the post. The 1" screws are used to attach the rail to the mounting bracket.
2. If you are using an optional post mount, use the 1" screws that come with the post mounting hardware to install the mounting brackets.
3. While marking the angle on the bottom rail, ensure the pickets are equally spaced from each post.
4. A non-ferrous metal blade can be used to cut the vinyl and aluminum at the same time. Cut slowly and use all safety precautions.
5. Before installing the rails, ensure the aluminum is seated into the vinyl rail properly. The large opening of the H-channel should be towards the pickets.
6. If the posts are plumb, the angle should be the same for both rails. Always double check before cutting the rails.



Section 1

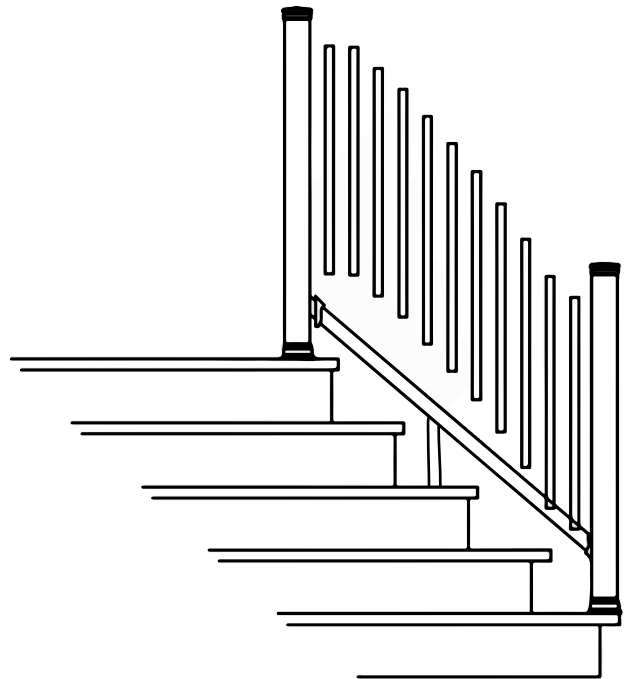
These instructions are designed to be supplemental; review all instructions with the brackets before starting installation.

1. Plumb posts and install optional post skirt before installing rail mounting brackets.
2. Determine the distance between the deck and the bottom rail based on local code (generally 2").
3. Stair installation requires the rail ends to be cut at the same angle as the stairs.
4. Lay the bottom rail along the stairs, but raised so that there is a space between the rail and the stairs (typically 2"). Assure that the holes for the pickets are on the top of the rail and the single hole for the foot block faces down.
5. Ensure the pickets are centered between the posts and mark the rail angle. Clamp the bottom rail to the post then measure the length of the footblock.
6. To determine the length of the footblock, place the footblock next to the rail on the step that the footblock falls on.
7. Mark the footblock along the top of the railing then cut the footblock 1/8" shorter than the line, following the angle of the bottom rail.
8. Using a pencil, strike a line on the bottom rail against the post to determine the angle.
9. Mark the bottom and top rail to the same length, ensuring the picket holes line up before cutting the rail.
10. Cut the vinyl rail and the aluminum insert to the same length.



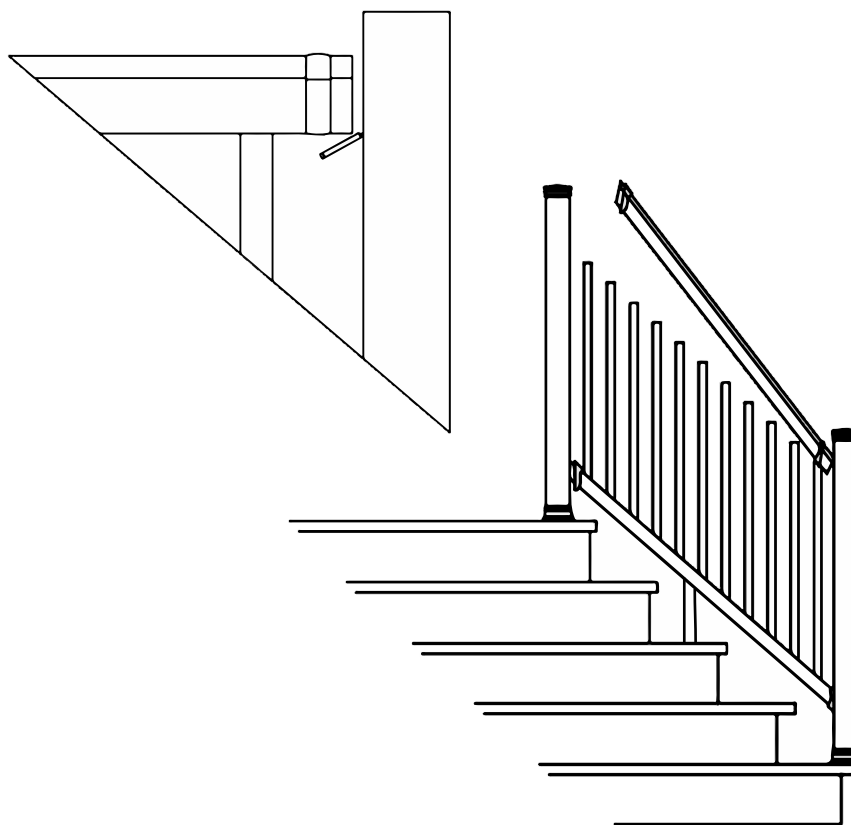
Section 2

1. Slide the brackets over the bottom rail with the flush edges towards the post.
2. Line the bottom rail along the stairs, assuring that the foot block is inserted into the hole on the bottom of the rail.
3. Fasten the brackets to the post using the provided 1.5" screws, then secure the rail to the brackets with the provided 1" screws.
4. Gently snap the hole plugs over the 1.5" screws and snap the screw caps onto the 1" screws.



Section 3

1. Install pickets into the bottom rail; then install the top rail onto the pickets starting at one end. Assure that the brackets are placed onto the ends of the rails before installing the top rail.
2. Fasten the brackets to the post with the provided 1.5" screws. Then secure the rail to the bracket with the 1" screws.
3. Gently snap the hole plugs over the 1.5" screws and snap the screw caps onto the 1" screws.



If needed, alter the post height and install the post caps.