

weatherables

Pool Fence

Installation Guide

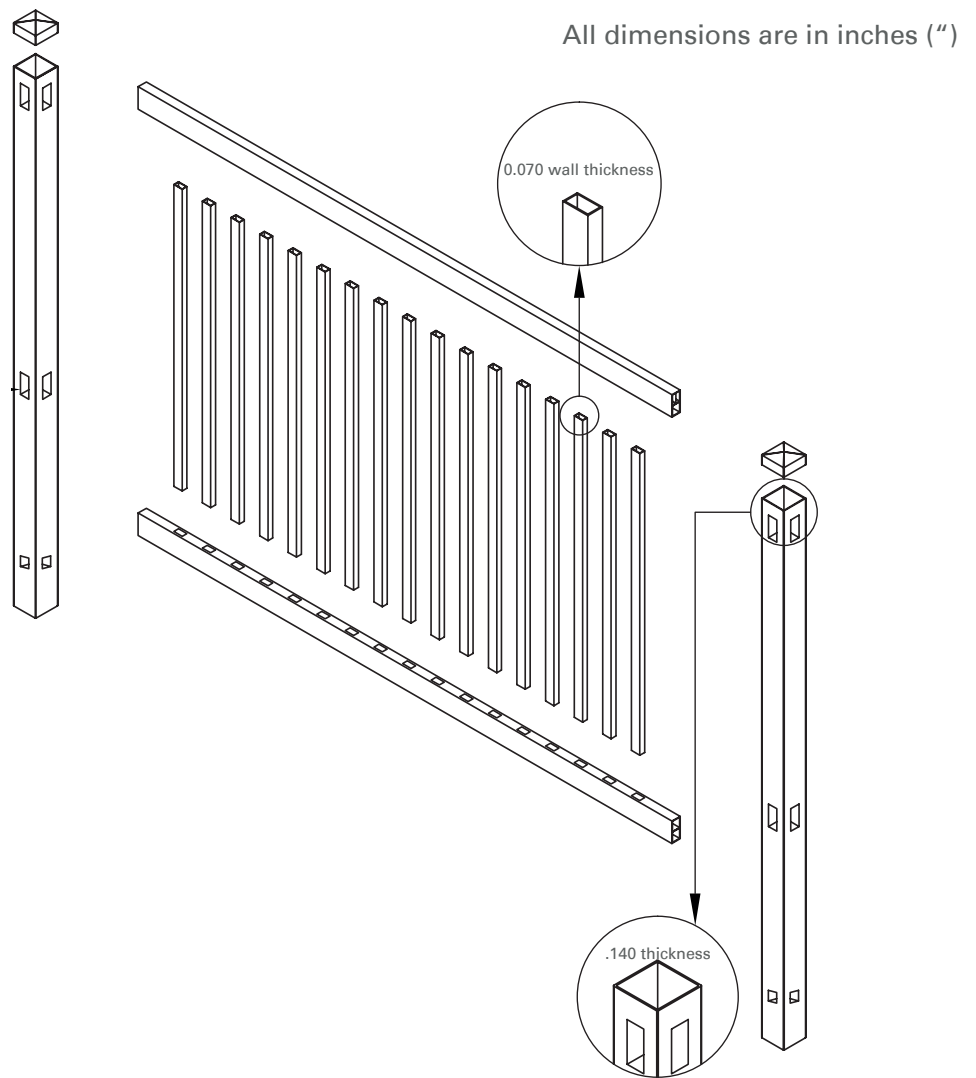
A beautiful finish that always looks new.

Thank you for choosing to surround your patio, pool or lawn with a Weatherables Pool Fence! While perfect around pools, our fence also looks great in any area of your yard. Our exclusive manufacturing process makes fencing that resists water, humidity and many chemicals. The bottom rail is also reinforced with aluminum for added strength and durability. This guide will help make your installation easy. For questions, please call 1-888-743-3673 and welcome to Weatherables.

CONTENTS:

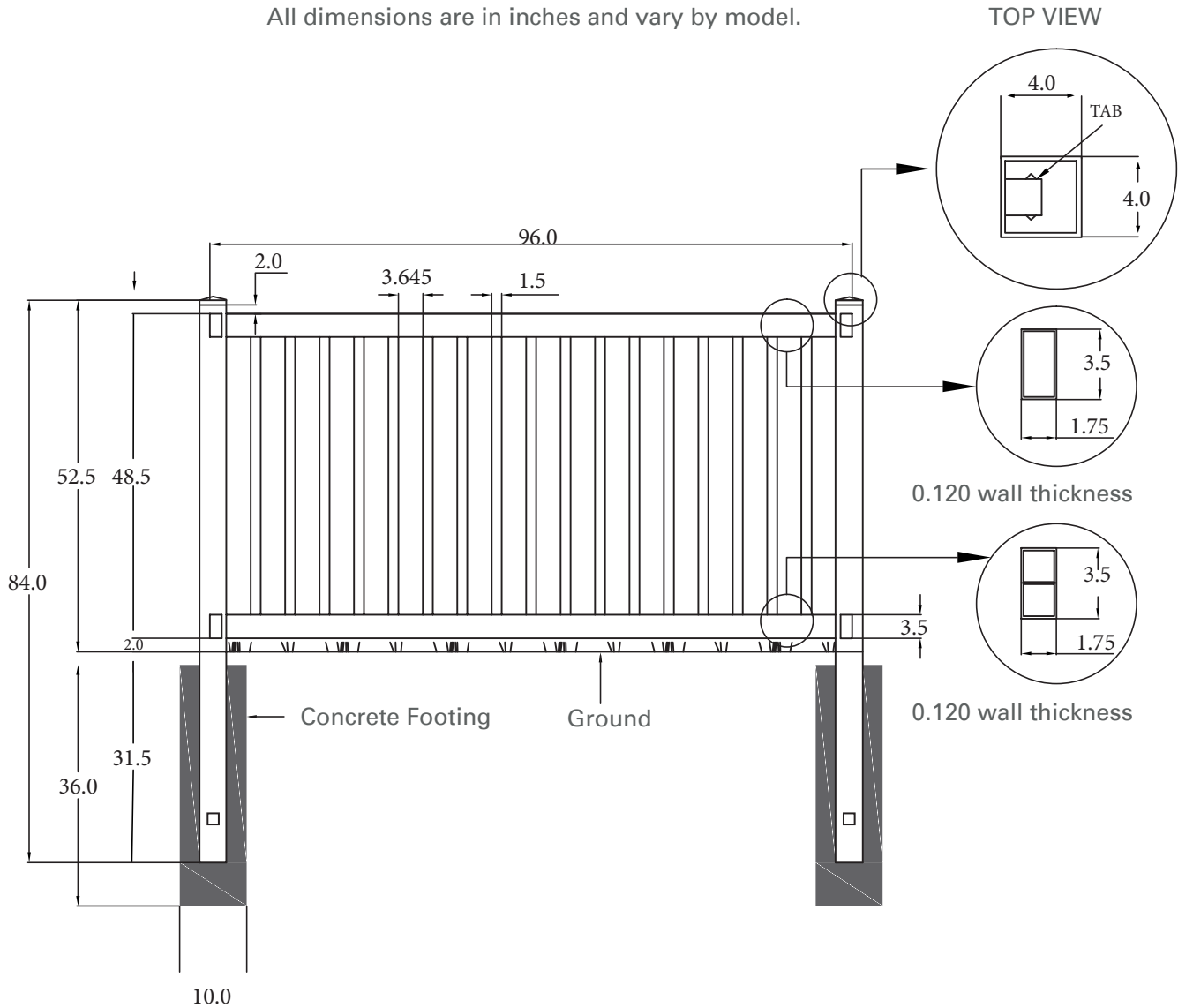
Each order is unique (diagram is representative of a typical panel) :

- Top Rail (1)
- Pickets (quantity varies by model)
- Bottom Rail (1)
- Aluminum Insert (1) located in bottom rail



This fence can be trimmed down in width to accommodate custom applications

All dimensions are in inches and vary by model.

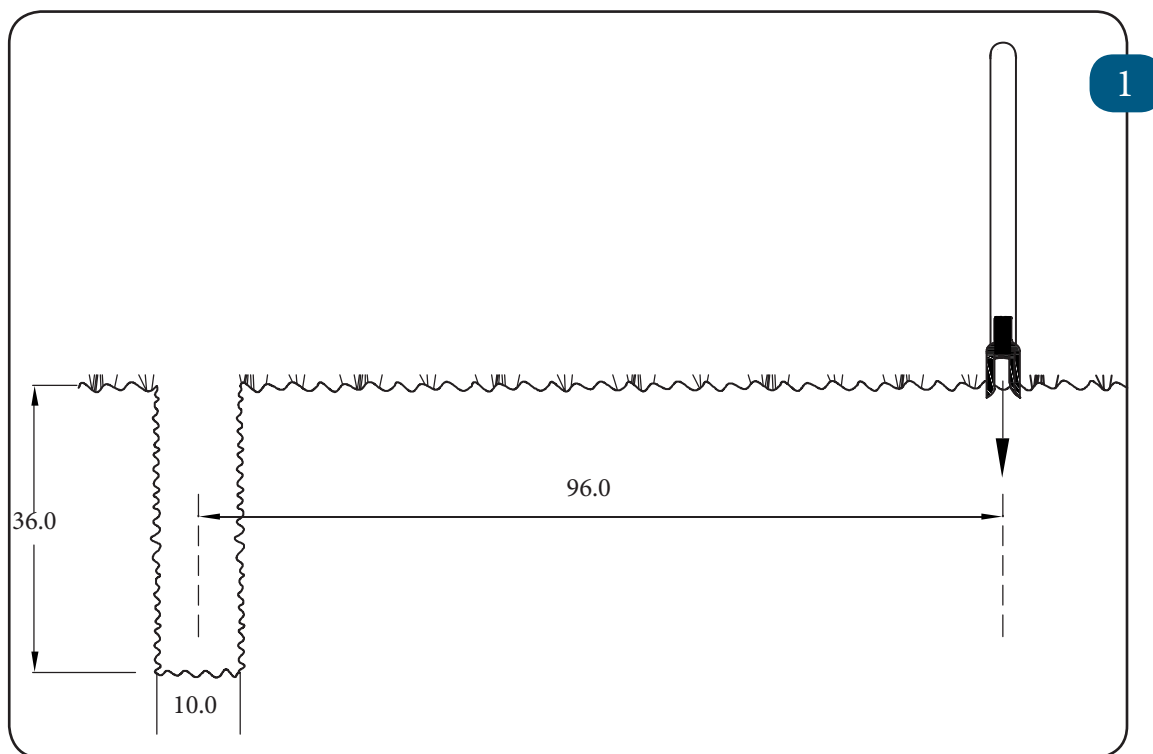


*Check local code before installing around a pool

Important Reminders:

- We recommend installing 1 post and section at a time but other methods work too. Alter this method to suit your installation needs.
- Prior to construction, check with your regulatory agency for special code requirements in your area.
- Contact your utility supplier to locate and mark underground lines before excavation.
- Sketch out the layout of your fence and calculate the number of panels, gates and posts required.
- Careful planning and measuring of your fence is essential. Keep in mind that moving posts after the concrete sets is extremely difficult.

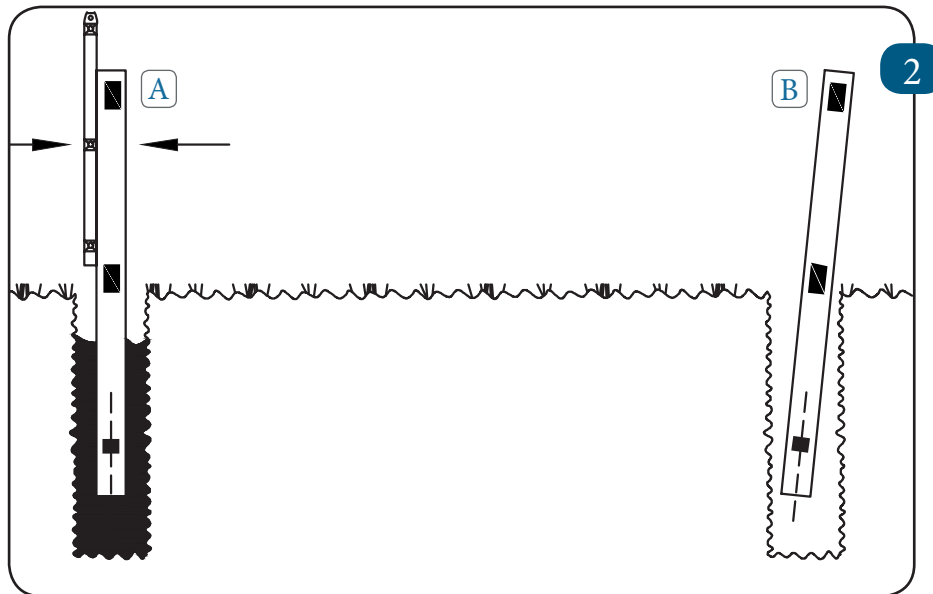
! **Fast2k Tip! Wherever concrete is used in installation, use Fast2K instead to simplify the process. Fast2K is a concrete alternative that is much easier to use and set.**



1. String your fence line and begin by digging your first post hole: 10" wide x 32"-36" deep.

! **Fast2K Tip! For Fast2k install, dig hole 6" wide x 32" deep.**

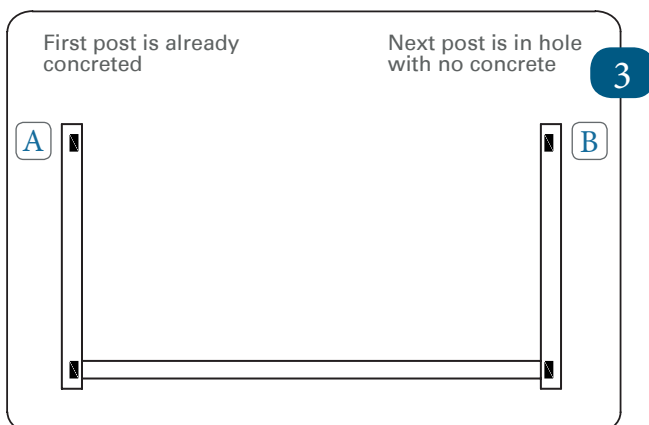
2. Dig the second hole 96" (or what is needed) on center to your first hole, and repeat until your fence run is complete (we recommend only digging 3-4 holes at a time to ensure proper spacing).



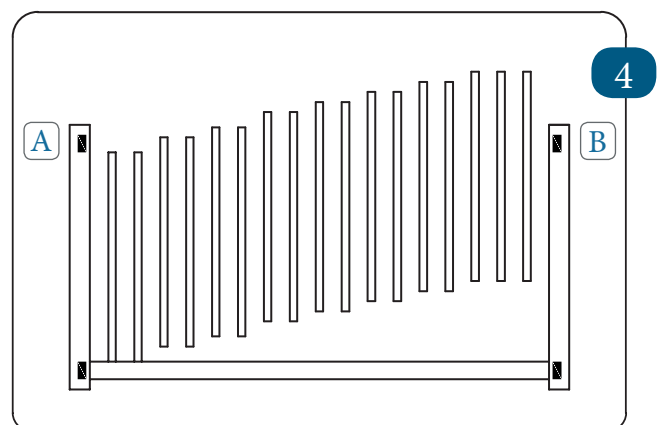
1. Insert post A into hole and set concrete. Post B may be loosely laying in hole until panel is fully installed. Repeat process down the line.

! **Fast2K Tip! Add one 12.4 oz. bag to the hole. Hold post in place to prevent movement and follow mixing instructions on the bag. Pour around post and plumb during expansion.**

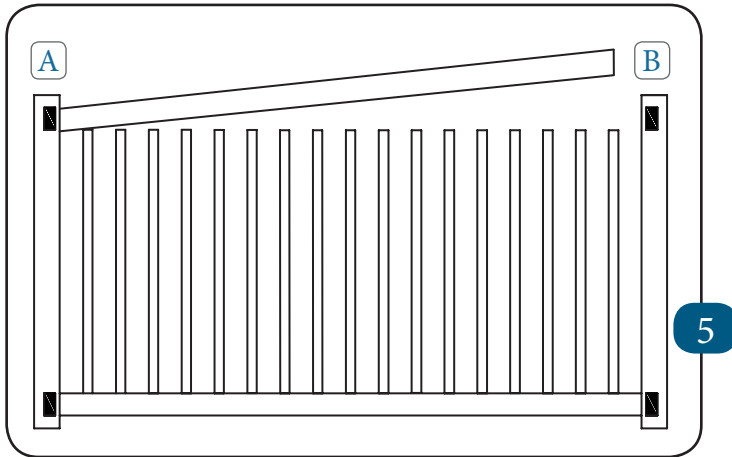
2. To set posts in concrete, hold post in place and prevent movement to ensure the post stays straight. Be prepared to use a minimum of (2) 60lb. bags of concrete for each post hole.
3. Mix concrete and pour wet.
4. Fill hole around and in concrete hole to ground level and plumb.



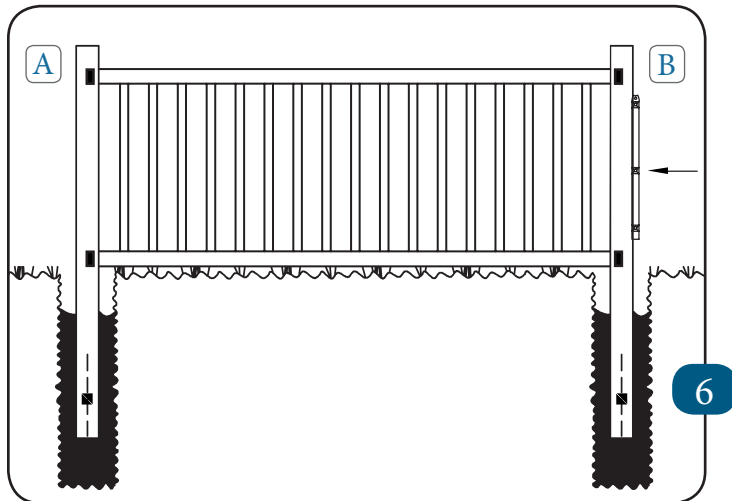
1. Insert rail with aluminium (bottom rail) into bottom route of post A and then into the bottom route of post B.



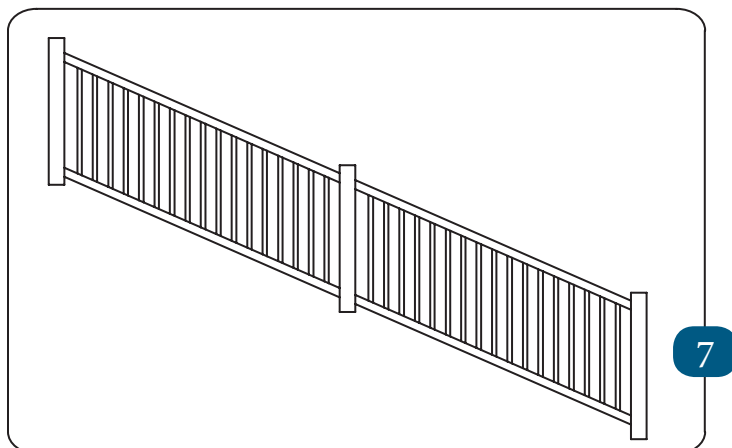
1. Slide pickets through holes in bottom rail.



1. Insert top rail into post A and place each pick into holes along the top rail.



1. Insert top rail into the opposite post.
2. Straighten and level next post.
3. Pour in mixed concrete.
4. Repeat steps down the line.



This fence panel can rack, the amount varies by the model. If more material is needed, please call 1-888-743-3673.

PANEL ADJUSTMENTS:

Under some conditions, panels may be reduced in length. If this applies, be sure to cut the top and bottom rails the same length to ensure proper picket alignment.